

## SBT - SPRING RETURN BOLT TENSIONERS - IMPERIAL



Imperial bolt size range from 1 ¼" to 4"

Maximum working pressure 1500 Bar

Spring assisted piston retraction

The SBT imperial range of hydraulic bolt tensioners, offers all of the features and benefits of our standard STS range (see pages 102 and 103), but with the added feature of spring assisted return hydraulic pistons. Designed primarily for topside operation, this additional spring return piston feature will reduce bolt tensioning cycle times considerably, as the tensioner pistons will automatically start to retract, after the hydraulic pressure is released. The range currently comprises of 22 models, suitable for standard size bolts from 1 ¼" to 4" diameter.

G

The versatility of the SBT bolt tensioner range, is identical to our standard STS range, with a variety of interchangeable threaded pullers and nut rotating sockets available, either as bolt size conversion kits or individual parts. Further details on SBT imperial conversion kits are detailed on pages 96 & 97. All SBT bolt tensioners are designed and manufactured with a wear coated piston, maximum stroke indicator, self energising high pressure seals, dual quick connect couplers, for easy multiple tensioner hook up and operate at pressures up to 1500 Bar maximum.

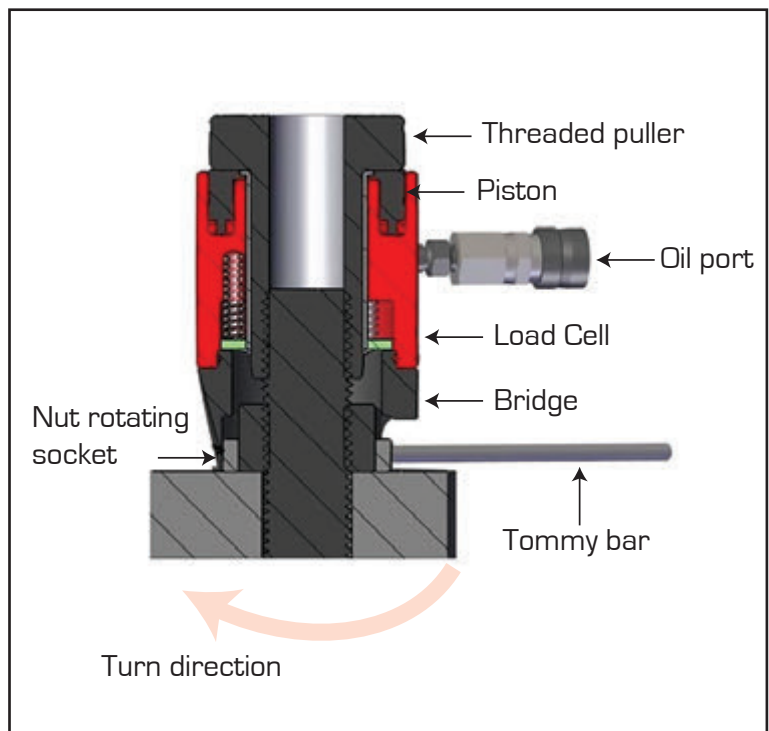
Suitable hydraulic pumps and high pressure hydraulic hose assemblies for use with SBT tensioners are detailed on pages 115 & 116 of this catalogue.

- >> Nitrocarburised piston
- >> Maximum piston stroke indicator
- >> Spring assisted return
- >> User friendly operating and maintenance procedure



Don't forget to order your tommy bars when purchasing Hi-Force hydraulic tensioners. We recommend the purchase of one tommy bar for every four hydraulic tensioners.

Tensioner range	Tommy bar
SBT2	TTB08
SBT3	TTB10
SBT4	TTB10
SBT5	TTB14
SBT6	TTB14



## SBT - SPRING RETURN BOLT TENSIONERS - IMPERIAL



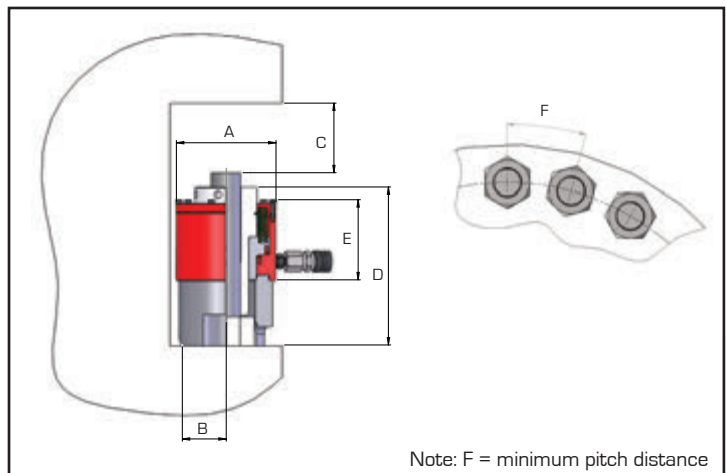
Bolt sizes from 1 1/4" to 4"

Modular design for optimum versatility

Dual quick connect couplings for easy connection



Conversion kits for SBT imperial range of bolt tensioners can be found on pages 96 and 97 of this catalogue.



G

Model number	Bolt thread size	Threads per inch	Capacity kN	Capacity tonnes	Effective area cm <sup>2</sup>	Stroke mm	Weight kg
SBT2-125B1	1 1/4"	8	457	46.6	30.5	15	4.0
SBT2-137B1	1 3/8"	8	457	46.6	30.5	15	4.0
SBT2-150B1	1 1/2"	8	457	46.6	30.5	15	4.0
SBT3-162B1	1 5/8"	8	822	83.8	54.8	15	6.7
SBT3-175B1	1 3/4"	8	822	83.8	54.8	15	6.7
SBT3-175B2	1 3/4"	8	822	83.8	54.8	15	6.7
SBT3-187B1	1 7/8"	8	822	83.8	54.8	15	6.7
SBT3-187B2	1 7/8"	8	822	83.8	54.8	15	6.7
SBT3-200B2	2"	8	822	83.8	54.8	15	6.7
SBT4-187B1	1 7/8"	8	1264	128.9	84.3	15	11.0
SBT4-200B1	2"	8	1264	128.9	84.3	15	11.0
SBT4-200B2	2"	8	1264	128.9	84.3	15	11.0
SBT4-225B2	2 1/4"	8	1264	128.9	84.3	15	11.0
SBT4-250B2	2 1/2"	8	1264	128.9	84.3	15	11.0
SBT5-250B1	2 1/2"	8	1833	186.9	122.2	15	16.5
SBT5-275B1	2 3/4"	8	1833	186.9	122.2	15	16.5
SBT5-300B1	3"	8	1833	186.9	122.2	15	16.5
SBT6-300B1	3"	8	2649	270.0	176.6	15	24.0
SBT6-325B1	3 1/4"	8	2649	270.0	176.6	15	24.0
SBT6-350B1	3 1/2"	8	2649	270.0	176.6	15	24.0
SBT6-375B3	3 3/4"	8	2649	270.0	176.6	15	24.0
SBT6-400B3	4"	8	2649	270.0	176.6	15	24.0

Dimensions in mm					
A	B	C min	D	E	F
102	39	140	164	91	74
102	39	140	164	91	77
102	39	140	164	91	80
137	47	158	188	94	92
137	47	158	188	94	93
137	50	156	193	94	104
137	47	158	188	94	97
137	50	156	193	94	104
137	50	156	193	94	104
167	50	167	197	97	104
167	50	167	197	97	104
167	62	177	213	97	106
167	62	177	213	97	121
167	62	177	213	97	127
209	73	187	229	102	134
209	73	187	229	102	140
209	73	187	229	102	147
257	84	219	254	102	161
257	84	219	254	102	167
257	84	219	254	102	172
257	105	258	295	102	191
257	105	258	295	102	196

Note: Weight is for load cell and bridge only. Total weight of complete assembly depends on size of puller and nut rotating socket selected. Tommy bars are not included. Hi-Force recommends one tommy bar for every four tensioners, please see page 94 for ordering code.